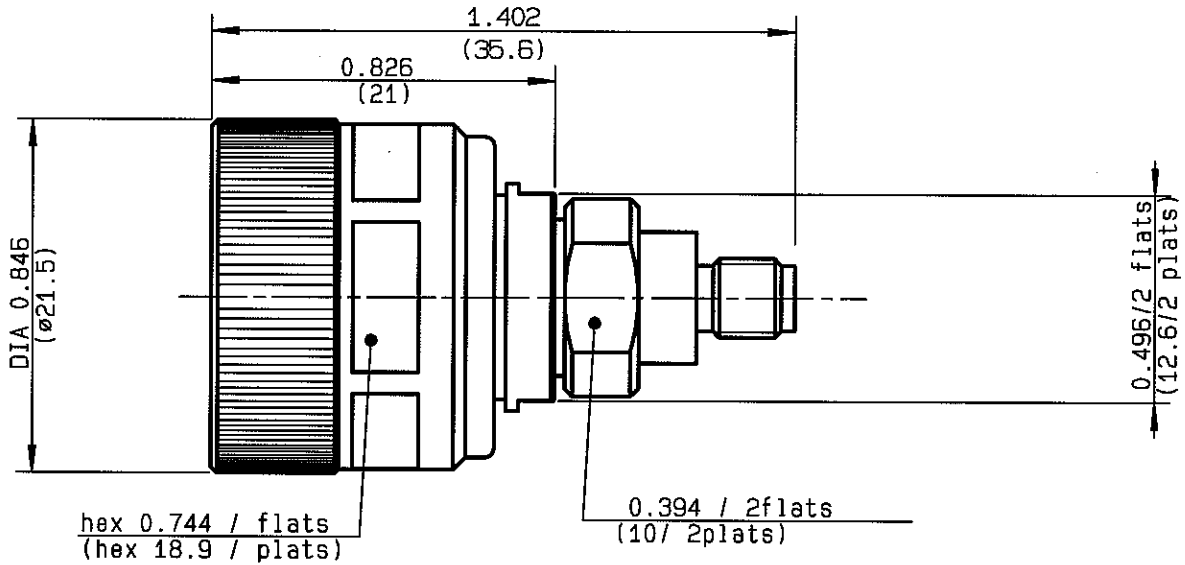


STRAIGHT ADAPTOR PG7 - SSMA FEMALE

R191.035.000
SERIES ADAPT



NOMINAL IMPEDANCE	50 Ω
FREQUENCY RANGE	0 - 18 GHz
TEMPERATURE RATING	+13/+33 °C
V.S.W.R	1.035 + .006 x F(GHz)Maxi
RF INSERTION LOSS	\sqrt{F} (GHz) dB Maxi
VOLTAGE RATING	250 Veff Maxi
DIELECTRIC WITHSTANDING VOLTAGE	750 Veff Mini
INSULATION RESISTANCE	1000 MΩMini
HERMETIC SEAL	Atm.cm ³ /s
LEAKAGE (pressurized only)	
MECHANICAL DURABILITY	Cycles
WEIGHT	gr
SPECIFICATION	

CABLES :

OTHERS CHARACTERISTICS

CABLE RETENTION	N Mini
CENTER CONTACT RETENTION	
Axial force - mating end	27 N Mini
Axial force - opposite end	N Mini
Torque	3 cm.N Mini
RECOMMENDED TORQUES	
Mating	cm.N
Panel nut	cm.N
Clamp nut	cm.N

CONNECTOR PARTS	MATERIALS	FINISH	(all values are given in micrometers)
BODY	STAINLESS STEEL	GOLD 1.3 OVER NICKEL 2	
OUTER CONTACT			
CENTER CONTACT	BERYLLIUM COPPER	GOLD 1.3 OVER NICKEL 2	
INSULATOR	ULTEM	-	
GASKET		-	
OTHERS PIECES	BRASS	NICKEL .	

TRIPPIER

ISSUE	CREATION DATE	FILE PART-NUMBER
0243E00	22/07/1977	DM-9705-028



RADIALL®

The information given here is subject to change without notice.
 Design changes may be in order to improve the product .

Connect to the future